

**WBHC-1516-MGY
Cabinet Unit**

RETAIN INSTRUCTIONS FOR FUTURE REFERENCE



GENERAL SAFETY INFORMATION

Some parts may have sharp edges. CARE must be taken when handling various pieces to avoid injury. For safety, wear a pair of work gloves when assembling or performing any maintenance on products.

LIMITED WARRANTY

Tennsco warrants goods purchased hereunder to be free of defects in materials and workmanship for a period of one (1) year from the date of shipment, hereunder. This warranty shall not apply in the event goods are damaged as a result of misuse, abuse, neglect, accident, improper application, modification or repair by persons not authorized by Seller, where goods are damaged during shipment, or where the date stamps on the goods have been defaced, modified or removed. UNLESS CONSIDERED UNENFORCEABLE OR UNLAWFUL UNDER APPLICABLE LAW:

- a. ALL IMPLIED WARRANTIES, INCLUDING BUT NOT LIMITED TO WARRANTIES OR MERCHANTABILITY AND FITNESS FOR A PARTICULAR PURPOSE ARE HEREBY EXCLUDED:
- b. BUYERS REMEDY, IF ANY, FOR ANY DEFECTIVE GOODS SHALL BE LIMITED TO A REFUND BY SELLER OR REPLACEMENT OF THE GOODS AT SELLER'S OPTION, AND SHALL IN NO EVENT INCLUDE DAMAGES OF ANY KIND, WHETHER INCIDENTAL, CONSEQUENTIAL OR OTHERWISE.

NO GOODS ACCEPTED FOR RETURN WITHOUT PRIOR APPROVAL. Seller shall have the right to inspect any goods claimed to be defective at Buyers place of business or require Buyer to return the goods to Seller for inspection on Seller's premises. Transportation charges covering returned goods will be borne by Seller only if such goods are proven to be defective, are covered by this warranty and are returned within the warranty period stated above.



PROUDLY MADE IN THE U.S.A.

Tennsco LLC., Dickson, TN 37056-1888 • (866) 446-8686

ASSEMBLY OF WBHC-1516-MGY CABINET

Two people are recommended for assembly. Approximate assembly time: 5-10 minutes.

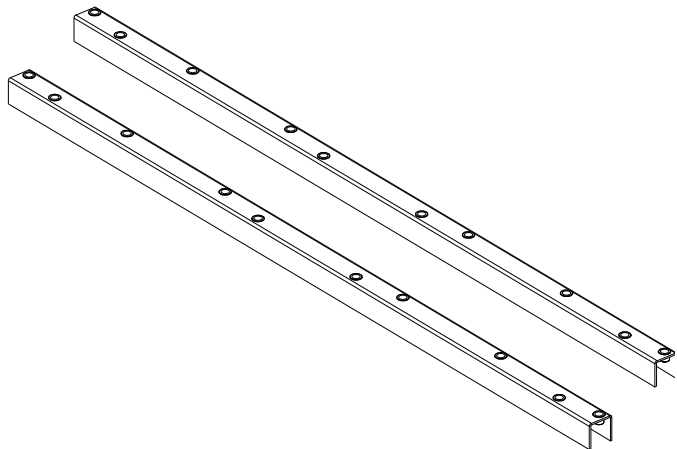
Tools required: slotted screwdriver, Philips screwdriver, and 7/16" wrench or nut driver.

The reference numbers used throughout this sheet refer to the illustration on the back cover.

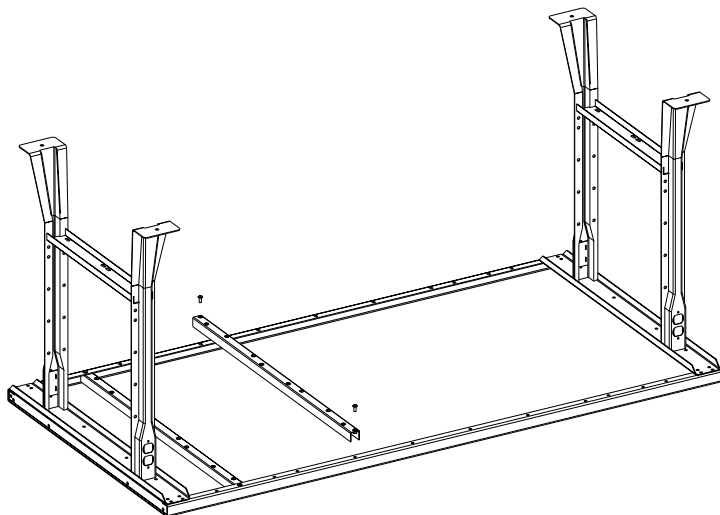
This is to help you to identify the various parts as they are mentioned.

Assembly for Steel Top

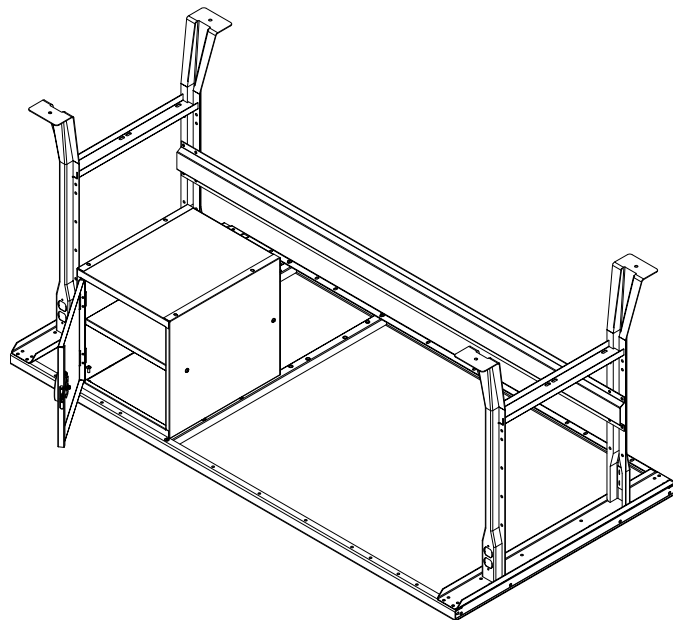
1. One set of mounting brackets (Ref. No. 3) are included with the standard steel top workbench. Additional sets of mounting brackets must be purchased separately if attaching more than one cabinet or drawer.



2. Turn the workbench over, placing the top on a protective surface. On the underside of the table, slide the mounting channels front to back into table flanges until channel holes align with workbench holes. Brackets should be approximately 14 1/2" apart. Secure each bracket with two 1/4"-20 x 5/8" bolts (Ref. No. 6).

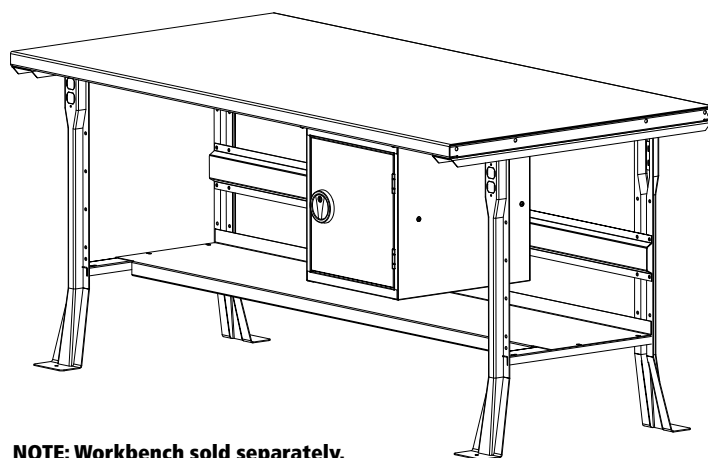


3. Open the cabinet door (Ref. No. 1). Attach the cabinet (Ref. No. 2) to the mounting channels using four 1/4"-20 x 1/2" bolts.



NOTE: The cabinet can be set up to open from the right or the left simply by turning the cabinet the direction you would like it to open and orienting the shelf with the top facing up. Secure the screws to hold the shelf in place.

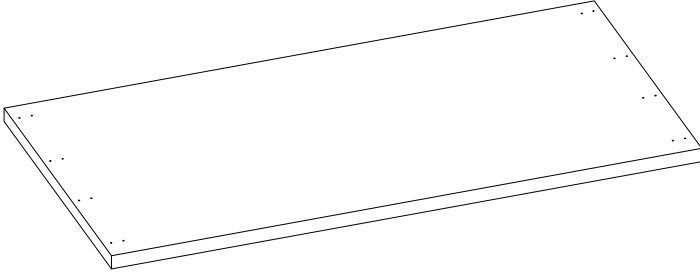
4. Close the cabinet door and turn the workbench right side up. Then, reopen the cabinet door and tighten the shelf (Ref. No. 5). Your cabinet is now ready to use on your workbench.



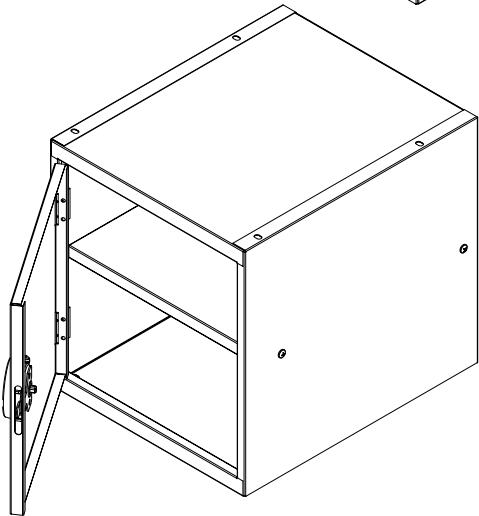
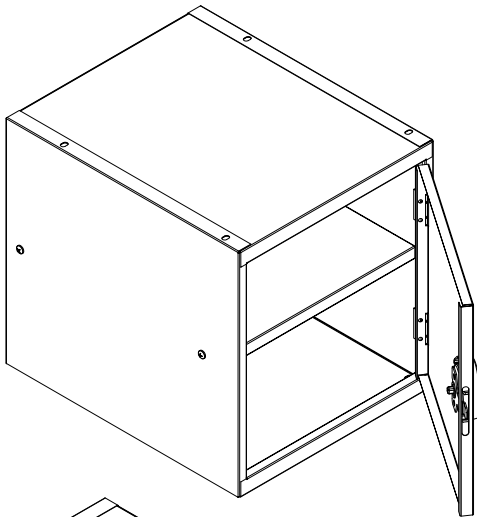
NOTE: Workbench sold separately.

Assembly for Wood Top

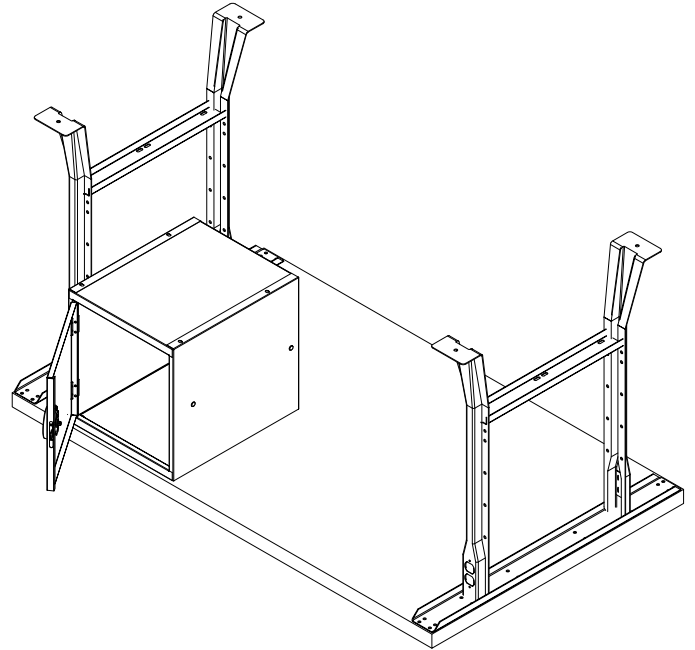
1. When attaching to a wood top, mounting brackets are not provided or needed. The cabinet can be mounted directly into the wood top.



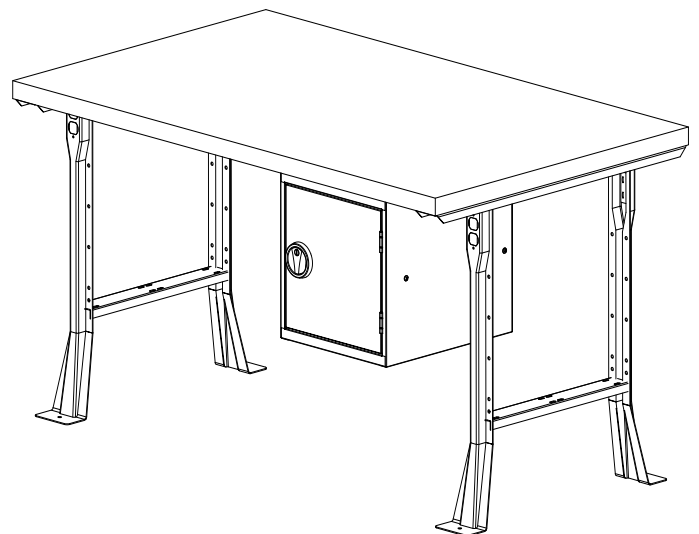
NOTE: The cabinet can be set up to open from the right or the left simply by turning the cabinet the direction you would like it to open and orienting the shelf with the top facing up. Secure the screws to hold the shelf in place.



2. Turn the workbench over, placing the top on a protective surface. Open the cabinet door (Ref. No. 1). Using a $\frac{7}{16}$ " wrench and Phillips screwdriver, remove the shelf (Ref. No. 5) by unscrewing the four screws. Position the cabinet in the desired location. Using the cabinet as a template, mark the location of the four holes for the wood screws on the underside of the top. Using a $\frac{5}{32}$ " drill bit, drill holes into the wood top about $\frac{1}{2}$ " to $\frac{3}{4}$ " deep. Attach the cabinet housing (Ref. No. 2) to the top using four wood screws (Ref. No. 8).

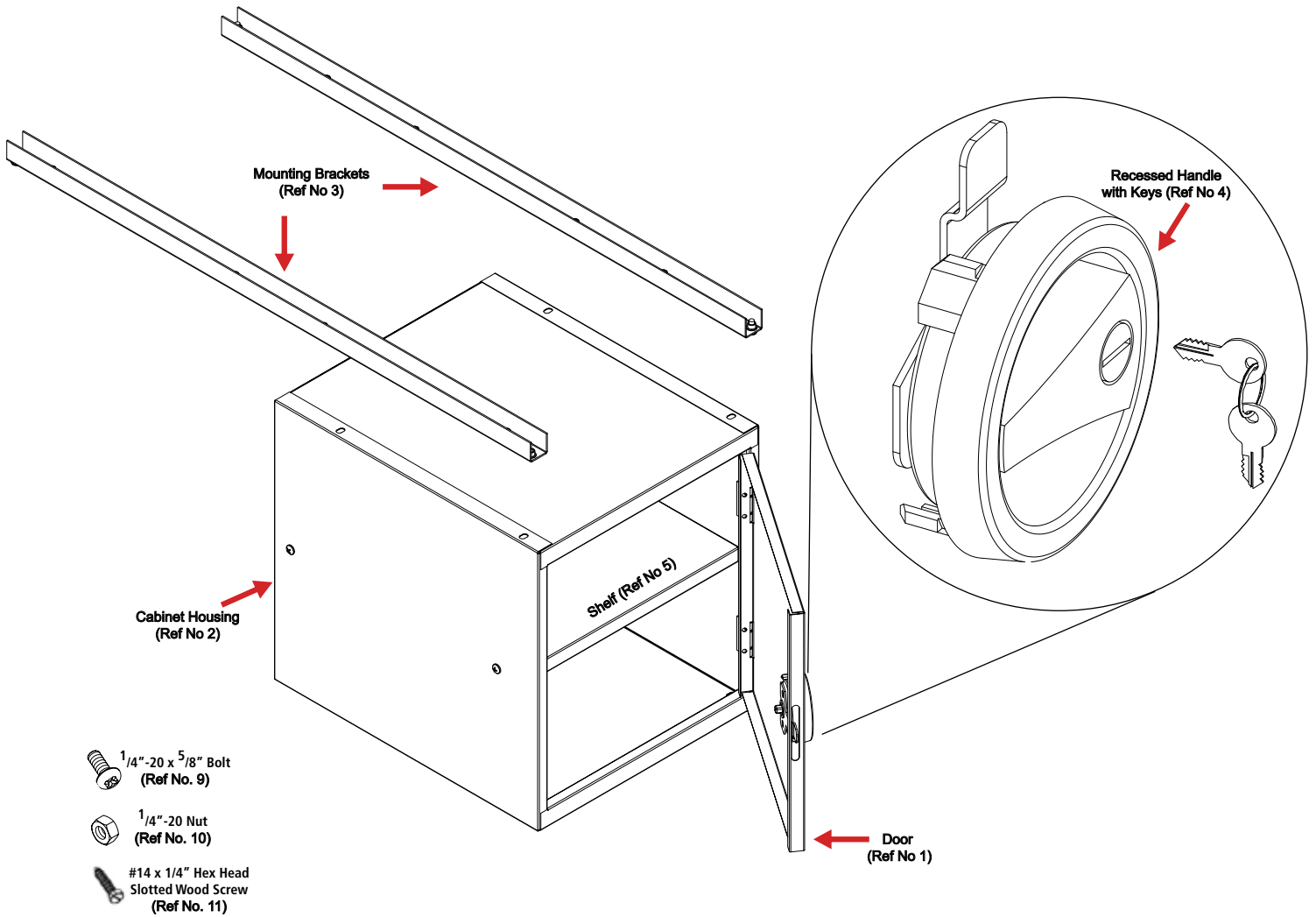


3. Close the cabinet door and turn the workbench right side up. Then, reopen the cabinet door and reinstall the shelf. Your cabinet is now ready to use on your workbench.



NOTE: Workbench sold separately.

REPLACEMENT PARTS



REF. NO.	DESCRIPTION	QTY.	PART NUMBERS
1	Door	1	WBHC-D
2	Cabinet Housing	1	WBHC-H
3	30" Mounting Bracket OR 36" Mounting Bracket	1	WBMC-30 WBMC-36
4	Recessed Handle w/Keys	1	RH-1
5	Shelf	1	WBHC-S
6	1/4"-20 x 5/8" Bolt	1	**
7	1/4"-20 Nut	1	**
8	#14 x 3/4" Hex Head Slotted Wood Screw	1	**

**Available Locally

NOTE: Additional hardware may be included for replacement purposes.

Tennsco makes every effort to ensure that all units ship complete with all parts and arrive undamaged. However, should your unit contain missing or damaged parts, please contact your purchase location.